

MAFR501 series

AIR UNIT (F.R.UNIT)

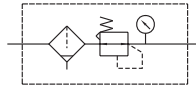


mindman



Option: **MP41**

Symbol



Specification

Model	MAR501	
Bore No.	20A	25A
Port size	3/4	1
Medium	Air	
Operating pressure range ()	PC, Nylon bowl: 0.05~1 MPa	
	Metal bowl: 0.05~1.5 MPa	
Proof pressure	PC, Nylon bowl: 1.5 MPa	
	Metal bowl: 2 MPa	
Regulated pressure range	0.1~0.85 MPa	
Ambient temperature	- 5~ + 60 (No freezing)	
Filter element	40 μm	
Attachment	Pressure gauge (PG-20), L type bracket	
Weight	PC,Nylon bowl	1940g
	Metal bowl	2060g

1. Standard unit contains semi-auto-drain function when operating pressure below 0.05 MPa.
2. Choose auto-drain FMRF300, the pressure range is 0.15 ~ 1 MPa.

Order example

MAFR501 - 20A - □□ - E1 - □

MODEL

BORE SIZE

20A : 3/4
25A : 1

BOWL

Blank: PC bowl
N: Nylon bowl
M: Metal bowl

OPTION

Blank: Standard type
C: External pressure gauge (PG-40)
D: Auto drain valve (FMRF300)

PRESSURE SWITCH

E1: MP41P-02
E2: MP41P-02-QD
E3: MP41P-02-J
E4: MP41P-02-QD-J
E5: MP41P-04
E6: MP41P-04-QD
E7: MP41P-04-J
E8: MP41P-04-QD-J

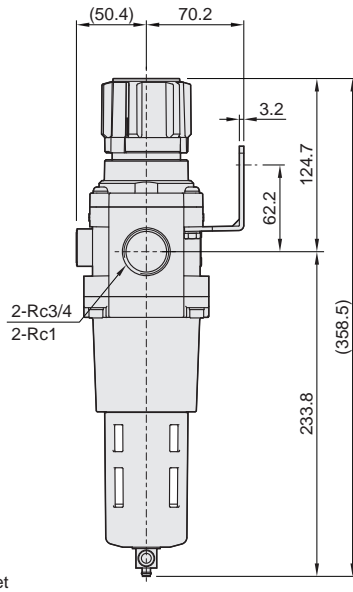
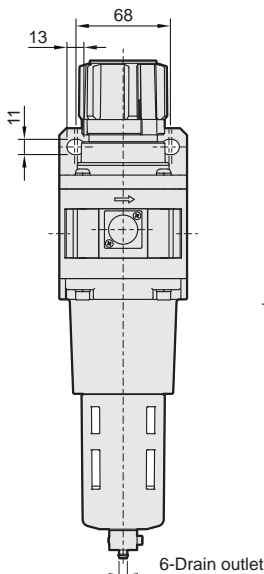
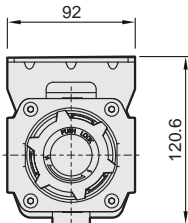
PORT THREAD

Blank: Rc thread
G: G thread
NPT: NPT thread

Option **-N** and **-M** cannot be selected simultaneously.

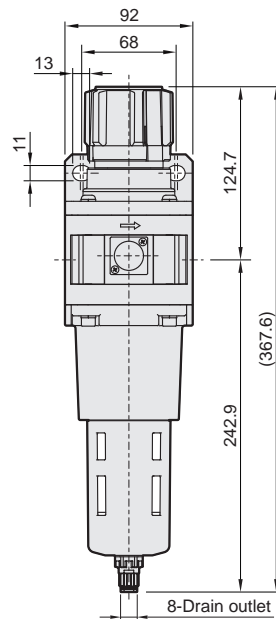
Option **-C** and **-E*** cannot be selected simultaneously.

Refer to page 5-11 for the option of digital pressure switch **MP41**.



MAFR501-D*

Auto drain valve



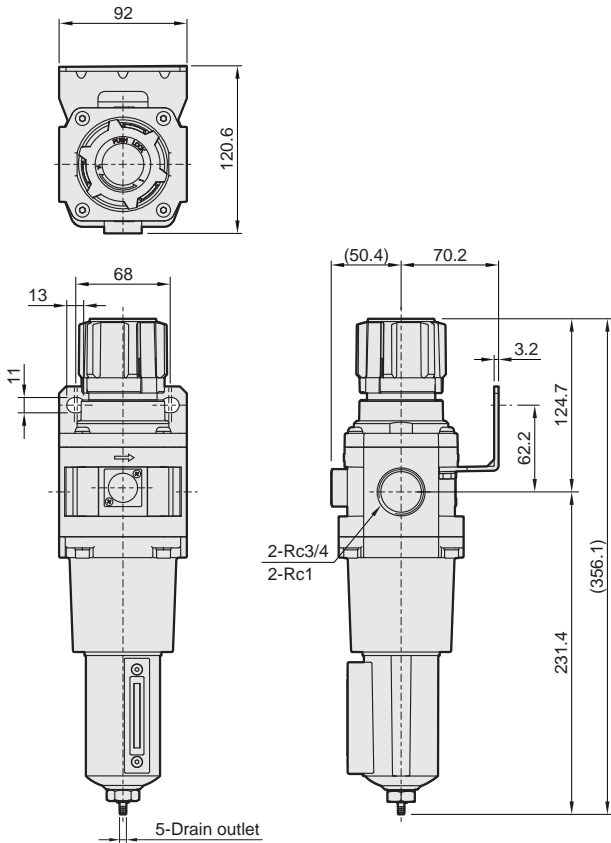
MAFR501 Dimensions

AIR UNIT (F.R.UNIT)



MAFR501-M*

Metal bowl



MAFR501-MD*

Metal bowl+
Auto drain valve

