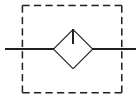


MAL200 series

AIR UNIT (L.UNIT)



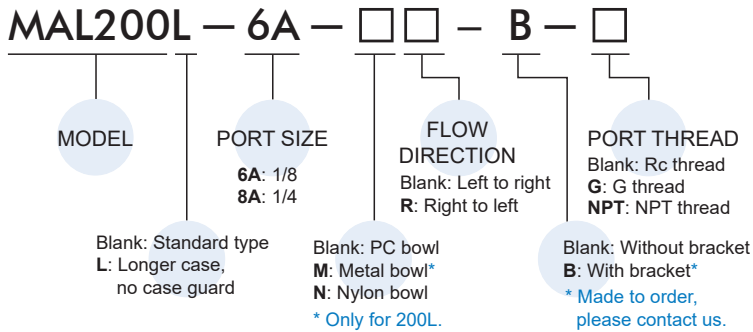
Symbol



Specification

Model	MAL200	
Bore No.	6A	8A
Port size	1/8	1/4
Medium	Air	
Max. operating pressure	1 MPa	
Proof pressure	1.5 MPa	
Ambient temperature	- 5~+60°C (No freezing)	
Lubricating oil capacity	20 c.c , 35 c.c (MAL200L)	
Min. Flow for oil drip	35 ℓ/min	50 ℓ/min
Recommended lubricating oil	Turbine oil ISO-VG32	
Weight	150 g, 130 g (MAL200L)	

Order example



Option accessories

Bracket

